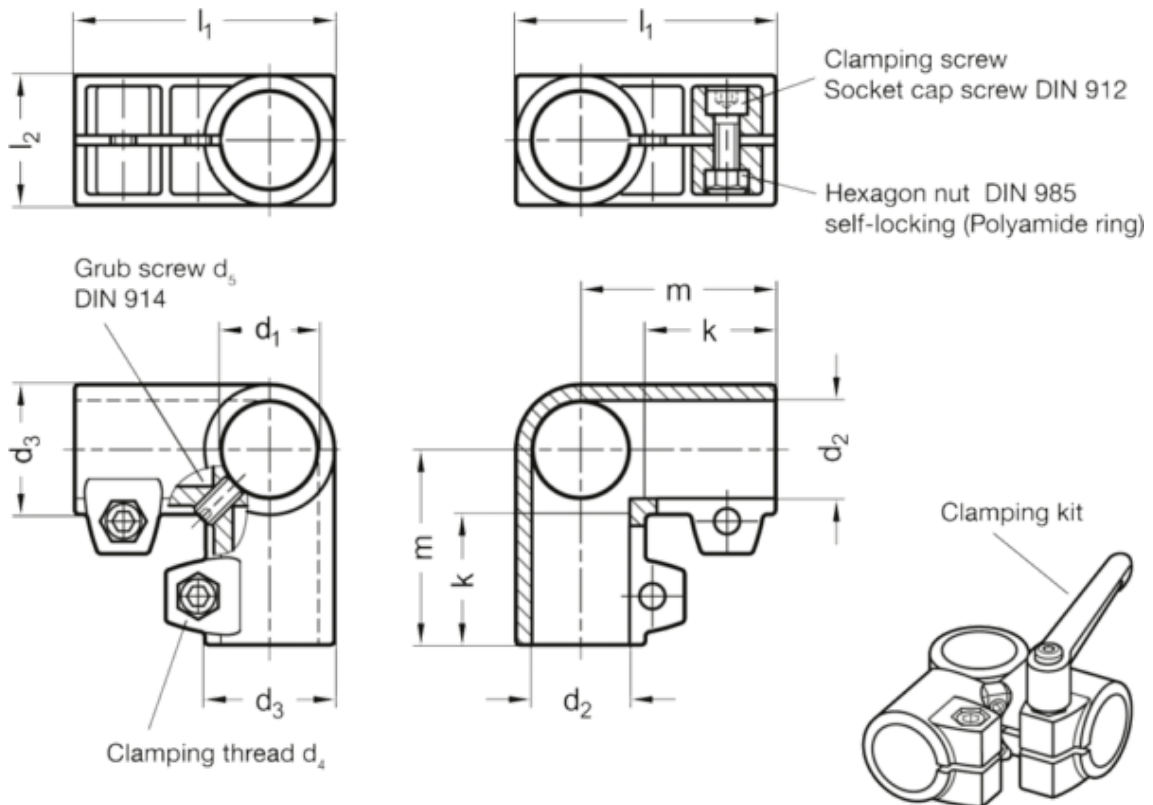


Article number: 20196B20B202SW
 Description: E+G Angle connector clamp
 GN 196-B20-B20-2-SW

Measures



l_1 = 345
 Clamping kits for d_4 = GN 911-M8-32
 d_2 = B 20
 d_3 = 40
 d_4 = M 8
 d_5 = M 8
 l_1 = 80
 l_2 = 52

k Clamping length = 40
 m = 60
 Weight in (g) = B 20